

## The wheel aligner for everyone Fast, precise and extremely reliable!

Advanced wheel aligner featuring an integrated camera movement system with manual operation, designed to ensure precision, reliability and ease of use at every stage of work.

The design provides for a presetting for an additional monitor or A4 printer. It is also compatible with a **trolley** and incorporates a practical clamp holder, designed to improve ergonomics and organisation of the workstation.

All components are made from **high-quality materials** and with a **modern design**, in line with Corghi's high construction standards. **EXACT LINEAR E PLUS** introduces intuitive and easy-to-use **software** that enables **rapid and precise alignment**, with detailed data display up to **0.01°**. The interface simplifies the operator's work thanks to easily accessible tutorials.

Access to the main setting values is immediate, reducing intervention time and increasing efficiency.



# NEW



## EASY TO USE

Simple graphics with Corghi icons.

Simple and efficient, easy to learn, quick to select.

### Main unit

Complete with integrated mini PC and worktop

### Handle

for the movement of the camera beam.  
Fast and precise movement.



## Lightweight target

### High-resolution

It can be detached from the clamp and is compatible with all clamps in the catalogue. Front infrared filter for enhanced immunity to solar reflections.



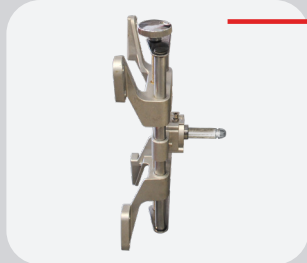
## Superior quality camera

Latest generation high-resolution HI-Q camera

For machine vision. **Operating light indications** thanks to the integrated synoptic panel.

**Measurement by image difference.**

Each acquisition is differentially processed by two consecutive images to eliminate measurement problems in critical sunlight conditions or in the presence of light reflections.



## CLAMPS FROM 10" TO 26"

With adapter (optional).

## Lock release

Release pedal for the camera mover locks.



## New integrated lifting system and manually operated safety system

### Quick and easy

The camera movement kit allows the operator to work from the pit to a height of more than 2 metres. Integrated safety system, with quick release of the locks by foot pedal operation.



## Recommended accessories



**8-34900011**

Carrying case with kit for calibration and check



x4

**8-34100020**

Self-centring 10"-21" clamps



x4

**8-34100021**

26" extender kit for clamps



**8-33100204**

Turntables with pads



**8-34900072**

Aligner Trolley. To use the wheel aligner in different lifts or in drive thru mode.



**8-21120005**

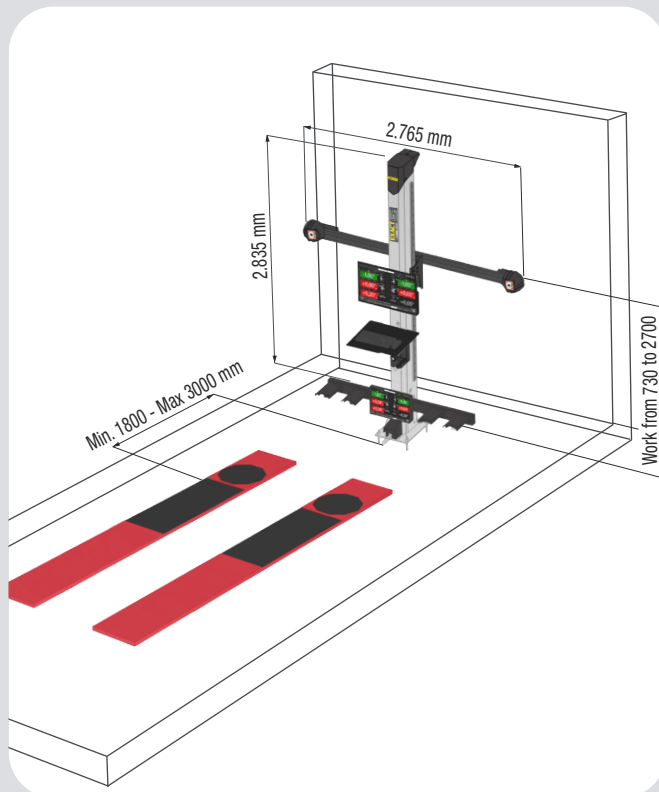
A4 Inkjet Printer

For more information please refer to the complete accessory catalogue

## Equipment



## Overall dimensions



### TECHNICAL DATA

Total toe	$\pm 20^\circ$
Individual toe	$\pm 10^\circ$
Camber	$\pm 10^\circ$
Caster	$\pm 30^\circ$
Kingpin	$\pm 30^\circ$
Setback	$\pm 22^\circ$
Thrust angle	$\pm 10^\circ$
Steering angle difference	$\pm 20^\circ$

### POWER SUPPLY

Power supply voltage	115/230Vac - 50/60Hz - 1 Ph
Power consumption	500 W
Camera resolution	2592 x 1944 12,000,000 pixel